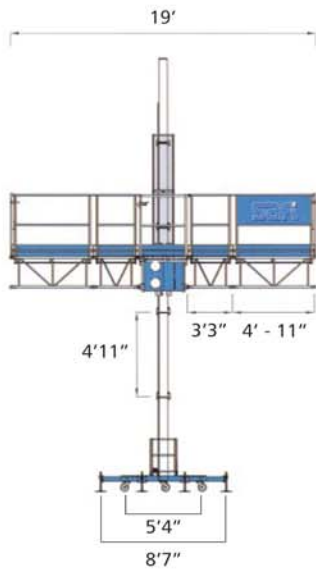
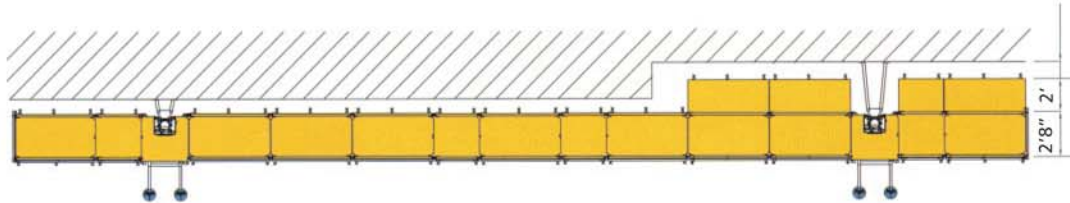
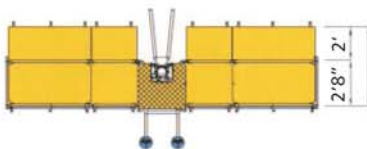


**MC-2200  
TWIN MAST**

Point load 5,200 lbs. per climbing base with maximum payload of 2200 lbs.  
Machine size: 58' - 5" x 100'



**MC-1100  
SINGLE MAST**



**MINI MAST SPECIFICATIONS**

Technical Data	Twin Mast MC-2200	Single Mast MC-1100
Max. Height	330'	330'
Max. Length	58' - 5"	19' - 0"
Max. Width	4' - 8"	4' - 8"
Max. Payload (Evenly Distributed) lbs.	2200	1100
Max. Distance Between Masts Towers	40'	—
Distance Between Tie	20'	20'
Base Climber Unit Weight — Lbs.	860	860
Mast Section Height	59"	59"
Mast Section Weight — Lbs.	80	80
Deck Module Length	59" or 39"	59" or 39"
Deck Module Weight — Lbs.	103 or 77	103 or 77
Climbing Speed — ft. per min.	20'	20'
Power Requirements — 208 VAC Three Phase/Amps	15	7.5
Drive Motors — 1.5 KW	2	1