

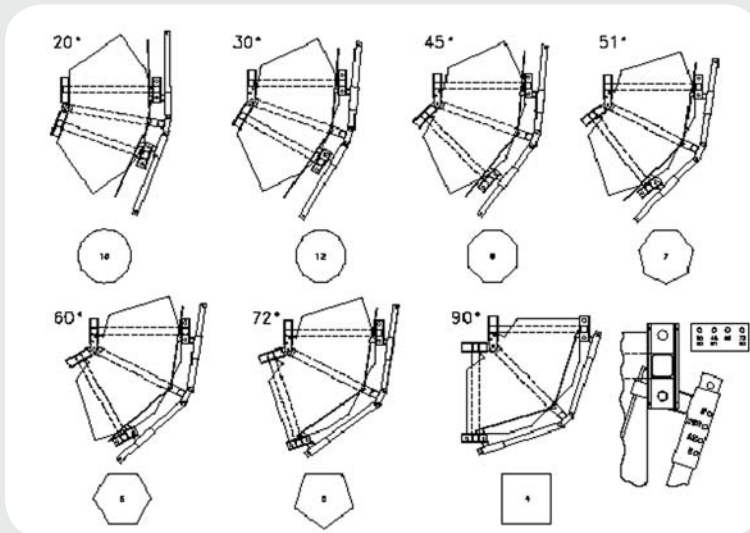
MHB with Adjustable Corner Sections

The adjustable corner section can form angles from 20 to 90 degrees.

Advantages of The Altrex Adjustable Corner Section:

- Unique in design and construction
- Makes platform assembly and rigging easier
- Fits together well with the rest of the suspended platform
- Assembly by means of quickpins
- Can make corner sections of 20, 30, 45, 51, 60, 72 and 90 degrees in order to make easy angle changes!
- Manufactured from anti-corrosive steel combined with aluminium components
- Can be used with a wide variety of platform configurations
- Can be supplied with a spindle for ease of adjustment (option)

Finally, this unique adjustable corner section will allow for storage component reduction (cost saving!) compared with fixed corner sections.



Load capacity and configuration tables

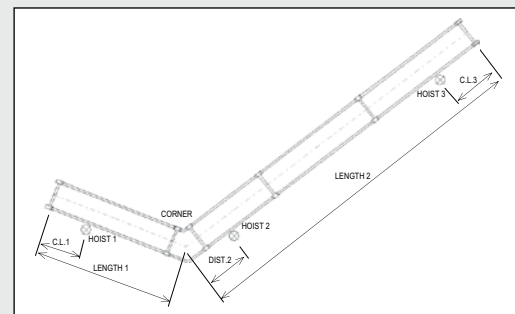
Regardless of the used type or angle of cornersection, the load capacity of any L-shaped platformconfiguration with three hoists is limited to 250kg in total. (two men with light equipment).



• Configuration tables

Example: 3m - corner 60° - 2m - 3m - 3m
with C.L.1 = 1m and C.L.2 = 1m

LENGTH 1 (m)	C.L.1 (m)	DIST.2 (m)	LENGTH 2 (m)									
			5	6	7	8	9	10	11	12		
1	0	1	5	6	7	8	9	10	11	12		
2	0	1	5	6	7	8	9	10	11	12		
3	0; 1	1	5	6	7	8	9	10	11	12		
4	0; 1	1	5	6	7	8	9	10	11	12		
5	0; 1; 2	1	5	6	7	8	9	10	11	12		
6	0; 1; 2	1	5	6	7	8	9	10	11	12		
C.L.3 (m)			0; 1	0; 1; 2	0; 1; 2	0; 1; 2	0; 1; 2; 3	0; 1; 2; 3	0; 1; 2; 3	0; 1; 2; 3	0; 1; 2; 3	



MHB with Adjustable Corner Sections

