

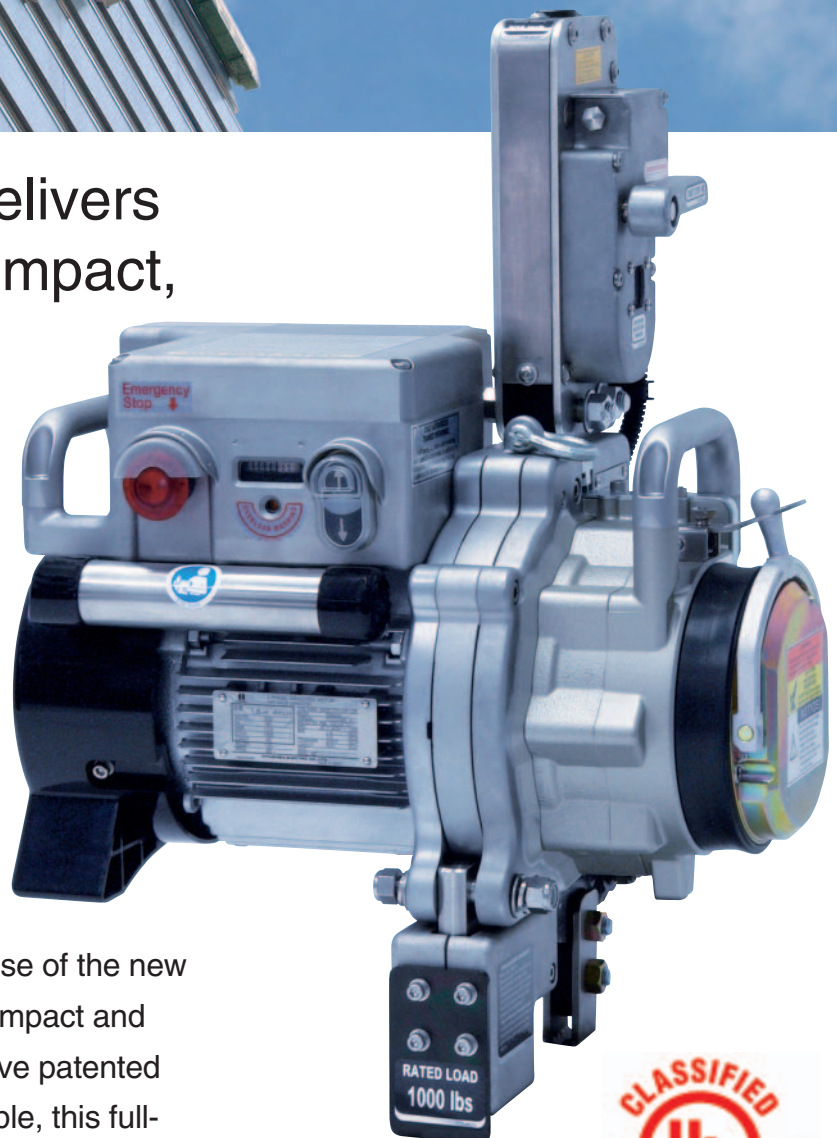
# BISOMAC 210

Traction Hoist for Suspended Platform

Advanced Technology Delivers  
Maximum Power In A Compact,  
Lightweight Design



Suspended Platform with  
BISO MAC210 Traction Hoist



NIHON BISOH is proud to announce the release of the new BISO MAC210 Traction Hoist, a remarkably compact and lightweight Traction Hoist featuring our exclusive patented mechanism. Easy to maintain and highly durable, this full-powered, full-featured BISO MAC210 is the next-generation traction hoist for the new era of ultra-high-rise buildings.

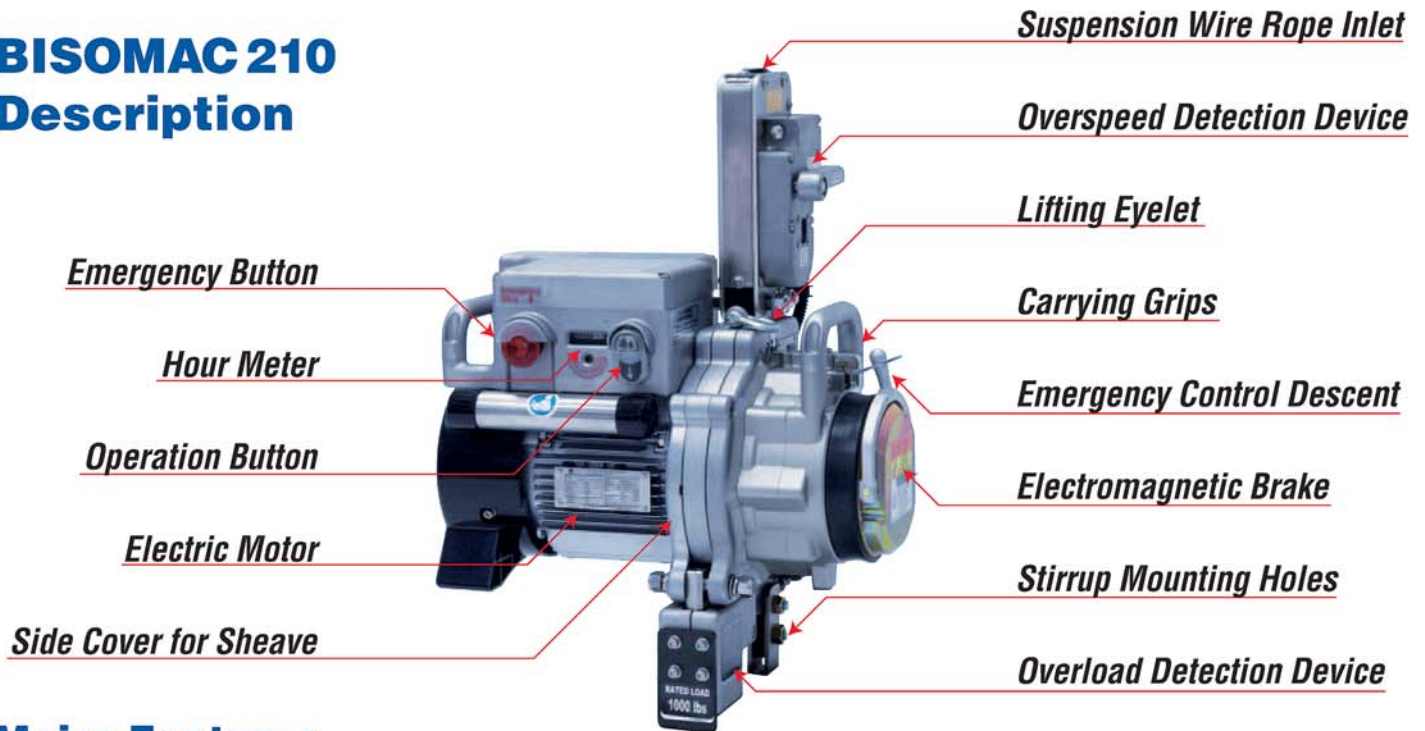






# NIHON BISOH Proudly Introduces the Traction Hoist for the 21st Century!

## BISOMAC 210 Description



## Major Features

- Performance**
- Strong to Voltage Drops Assuring Smooth, Steady Lifting for Skyscrapers
  - Friendly for Wire Rope
- Maintenance**
- Minimal Number of Components for Easy Assembly and Disassembly
  - Maintenance Simplified With Easy Side Cover Access
  - Minimal Parts Requiring Inspection or Replacement
- Handling**
- Well Balanced Two Carrying Grips for Easy Handling
- Safety**
- Designed to Assure Foolproof Operation and Prevent Malfunctions
  - Safety Devices Can Be Integrated to Meet Various Regulations
- **Integratable Devices include:**  
Overspeed Device, Overload Device, Slack Rope Device, Upper/Ultimate Limit, Rope End Limit

### Designed “less components”

Company B = 60 pcs.
Company F = 58 pcs.
Company A = 45 pcs.
<b>BISOMAC 210 = 30 pcs.</b>

### Compact “Light Weight”

Company B = 145 lbs
Company F = 135 lbs
Company A = 130 lbs
<b>BISOMAC 210 = 128 lbs</b>

## Specifications

Capacity	Phase	Voltage	Control	Wire Rope	Speed	Dimensions	Weight	UL File No.
1500 lbs	1	208 V/60 Hz	Independent	3/8 in.	35 fpm	24 x 12 x 18 in.	128 lbs	SA9398
1000 lbs	1	208 V/60 Hz	Independent	5/16 in.	35 fpm	24 x 12 x 18 in.	128 lbs	SA9398

NOTE: SPECIFICATIONS MAY CHANGE WITHOUT NOTICE.

