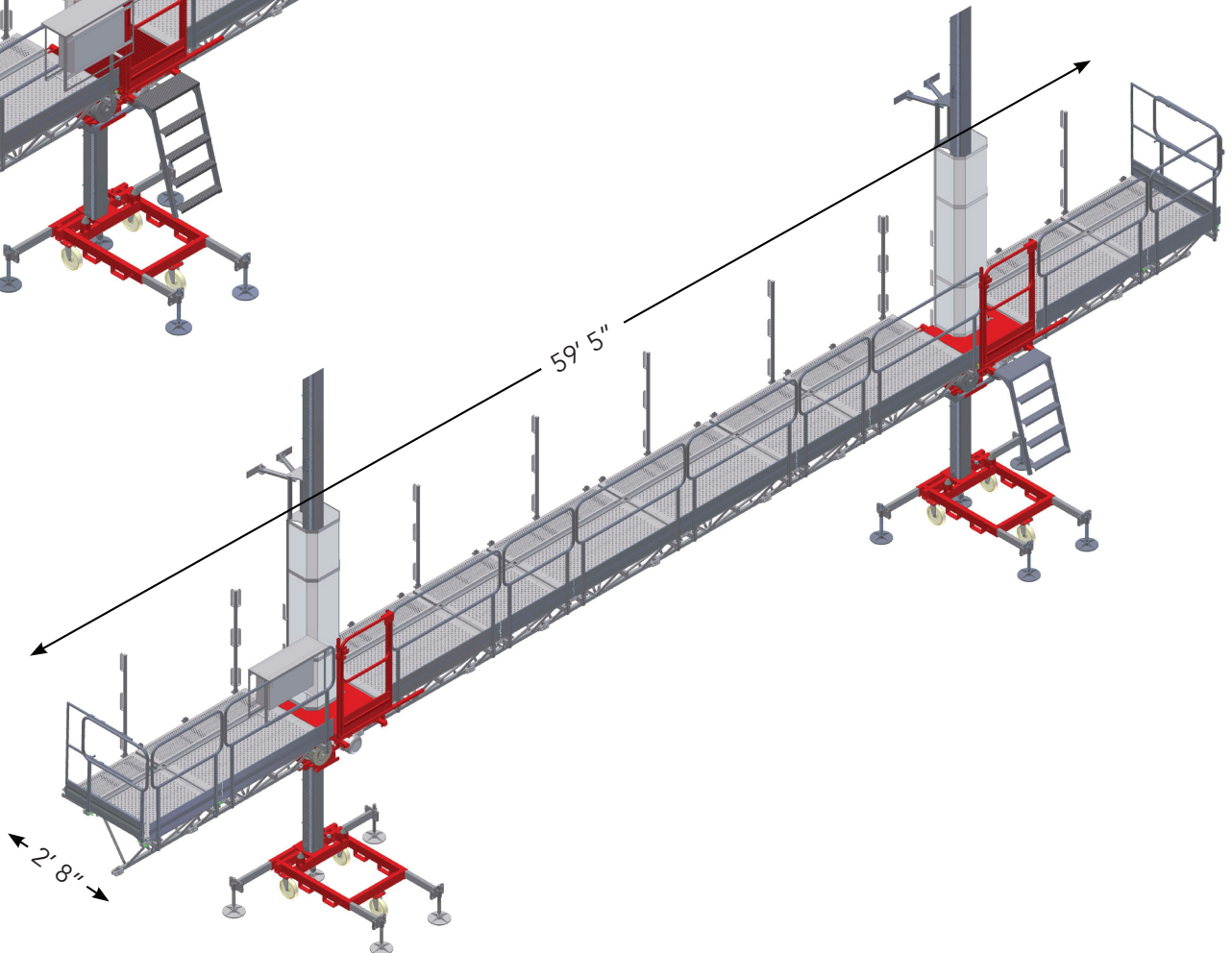
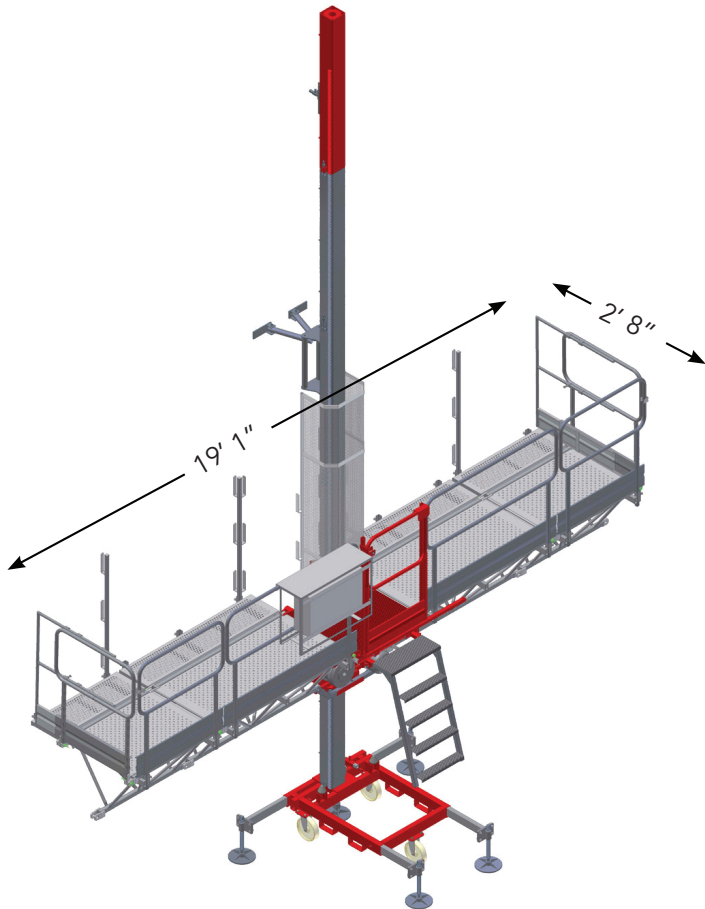


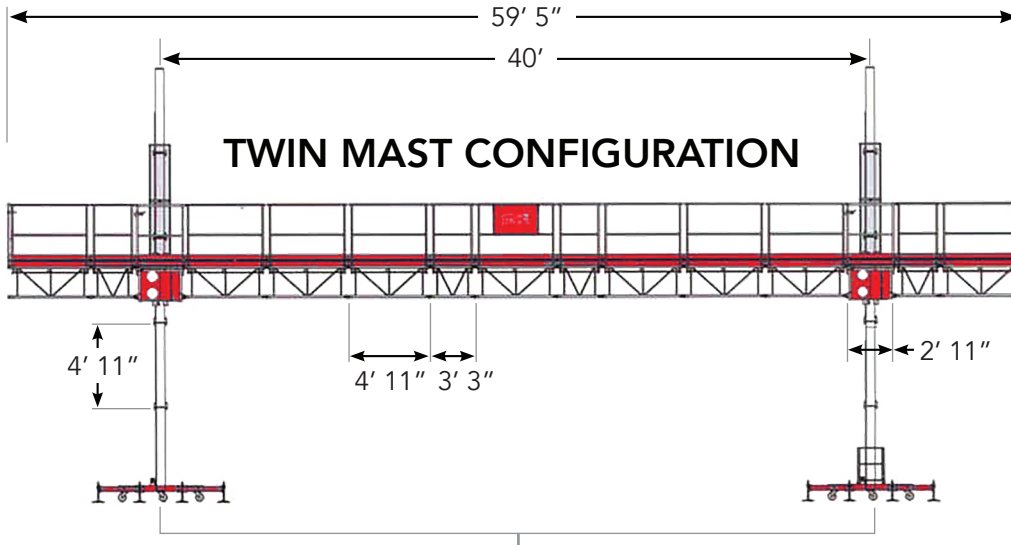
MAST CLIMBING WORK PLATFORM

MC-10

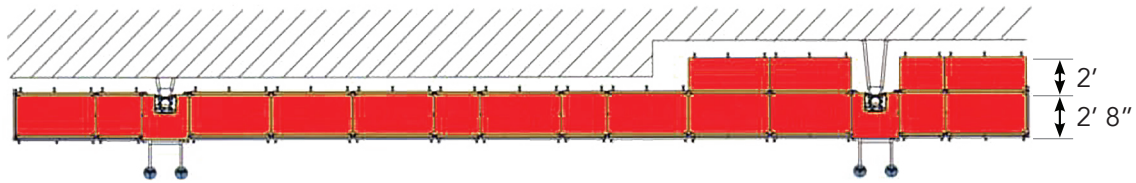
LIGHT DUTY LINE

- It's light-weight and versatile
- Up to 2,200 lb capacity
- Can be set up on a lower roof where weight capacity is an issue
- Base is mobile and can be set up quickly and easily by two workers
- Mast sections only weigh approx. 80 lbs. allowing the fastest installation times
- Time saving on assembly and working on site
- Space-saving transport and storage

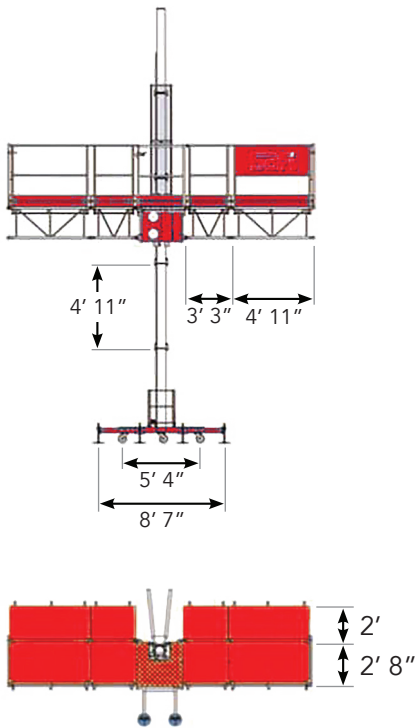




Lift Capacity: 2,200 lbs. at max length of 59' 5"



SINGLE MAST CONFIGURATION



SPECIFICATIONS

Available Sizes	Twin Mast	Single Mast
Maximum Height	330'	330'
Maximum Length	59' 5"	19' 1"
Maximum Width	4' 8"	4' 8"
Maximum Payload (Evenly Distributed)	2,200 lbs	1,100 lbs
Maximum Distance Between Mast Towers	40'	-
Distance Between Ties	20'	20'
Base Climber Unit Weight	860 lbs	860 lbs
Mast Section Height	59"	59"
Mast Section Weight	80 lbs	80 lbs
Deck Module Length	59" or 39"	59" or 39"
Deck Module Weight	103 or 77 lbs	103 or 77 lbs
Climbing Speed	20 ft/min	20 ft/min
Power Requirements - 208 VAC $\Phi\Phi\Phi$ /Amps	15	7.5
Drive Motors - 1.5 kW	2	1

This product must be used in conformity with safe practice and applicable statutes, regulations, codes and ordinances. Specification of products and equipment shown herein are subject to change without notice.